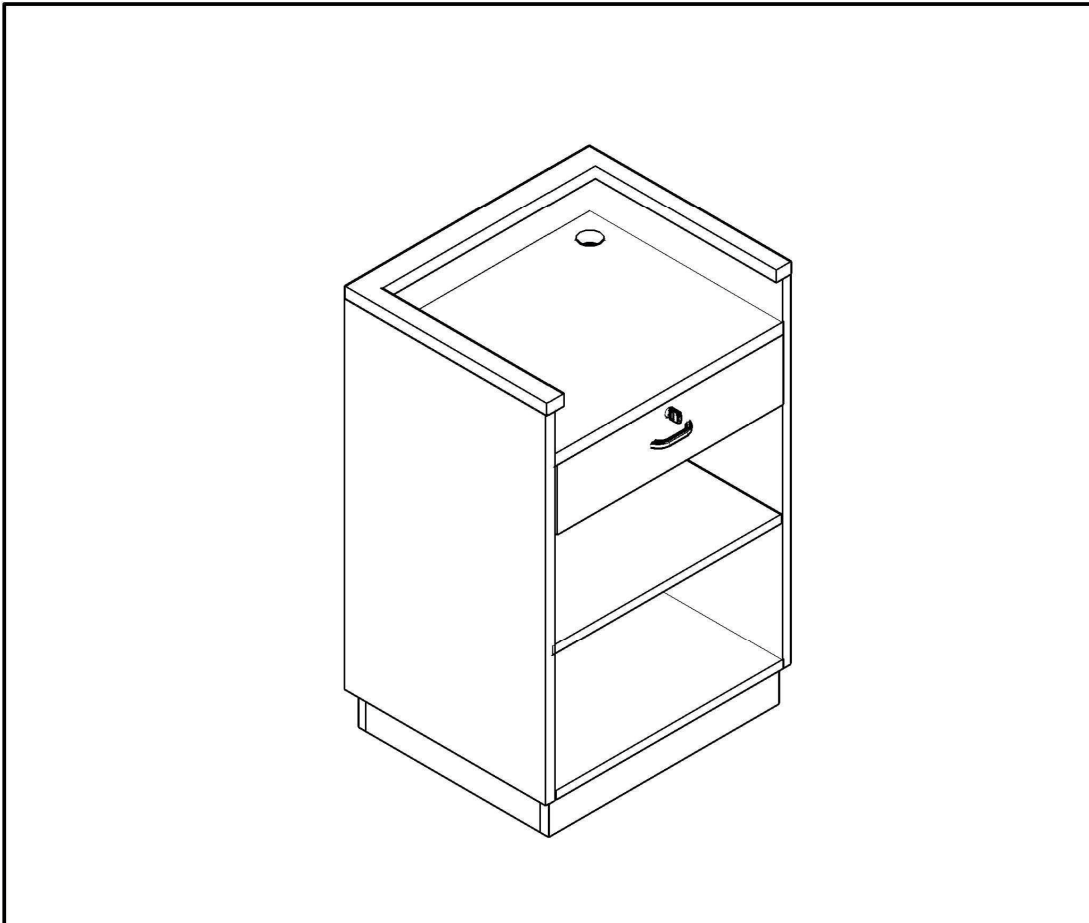


ASSEMBLY INSTRUCTIONS MANUAL

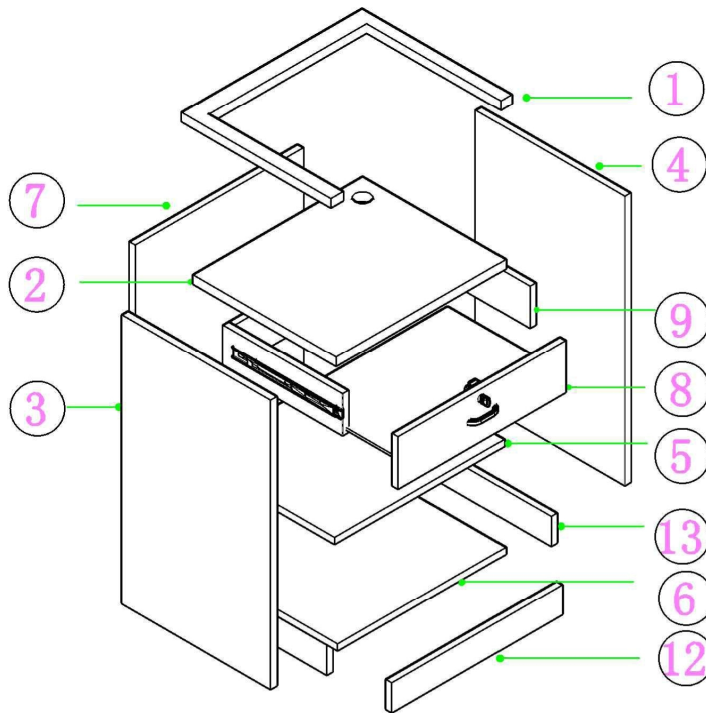
SW712 CASH REGISTER COUNTER WITH DRAW

CASH REGISTER COUNTER WITH DRAW

SW712 600mm (D) × 500mm (W) × 950mm (H)



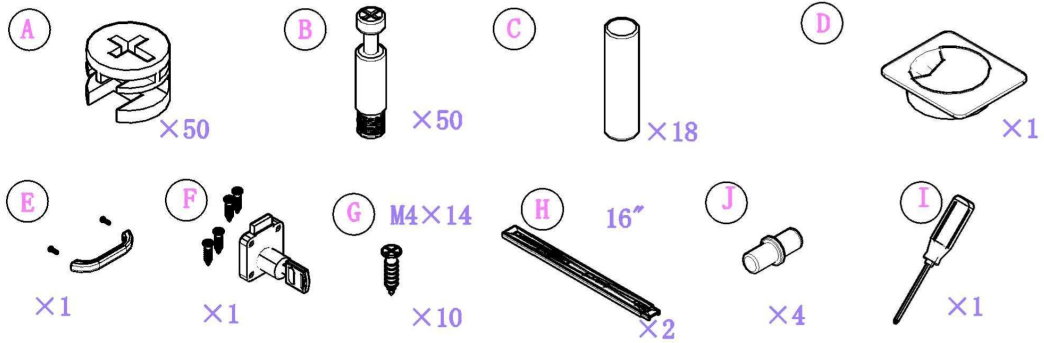
IDENTIFY PARTS:



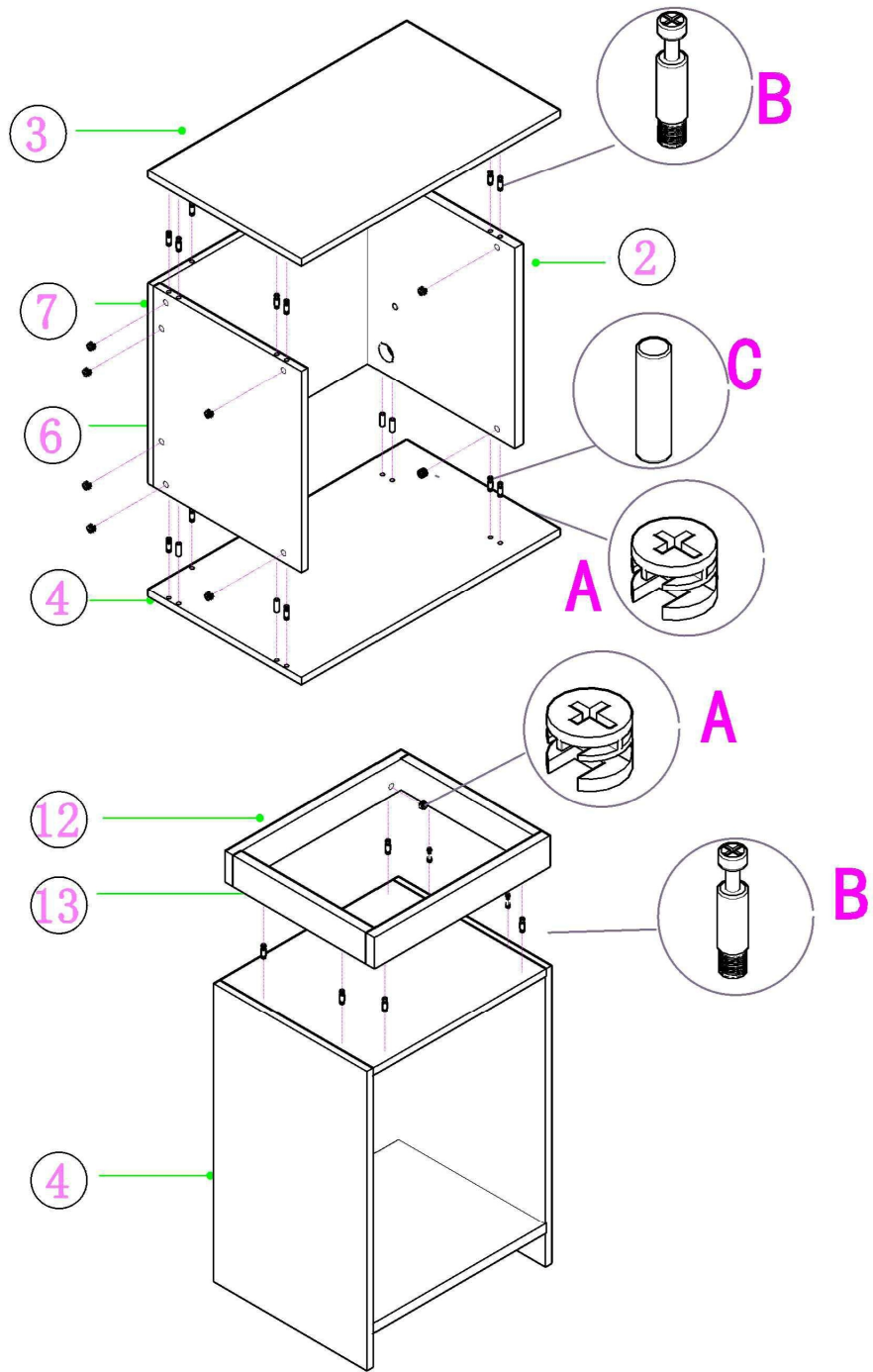
Please check below measurement sizes to identify parts:

Item	Size	Qty
1	600*500*25	1
2	563*479*25	1
3	840*498*18	1
4	840*498*18	1
5	563*479*18	1
6	563*479*18	1
7	840*563*18	1
8	559*150*18	1
9	400*120*18	2
10	501*120*18	1
11	511*392*5	1
12	573*85*25	2
13	420*85*25	2

HARDWARE CONTENTS:



STEP 1



STEP 2

